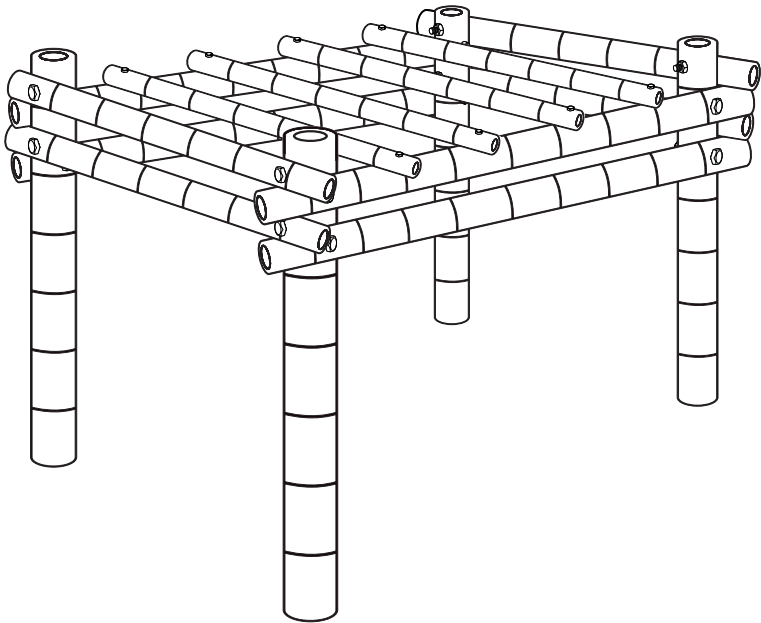
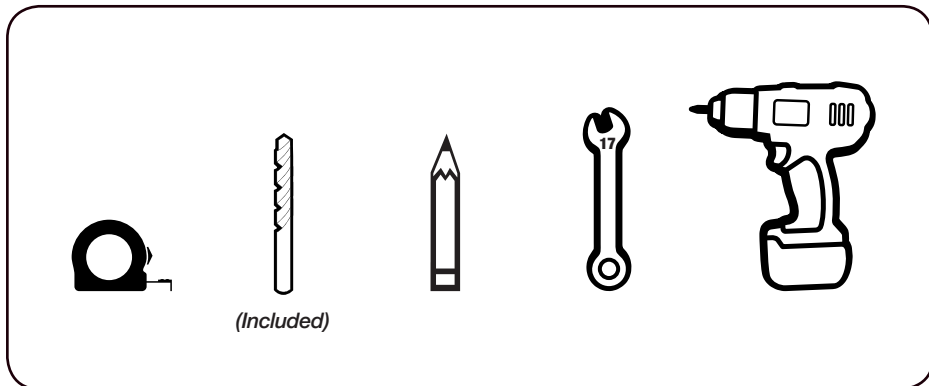


Handleiding Bamboe Pergola Java 2x3

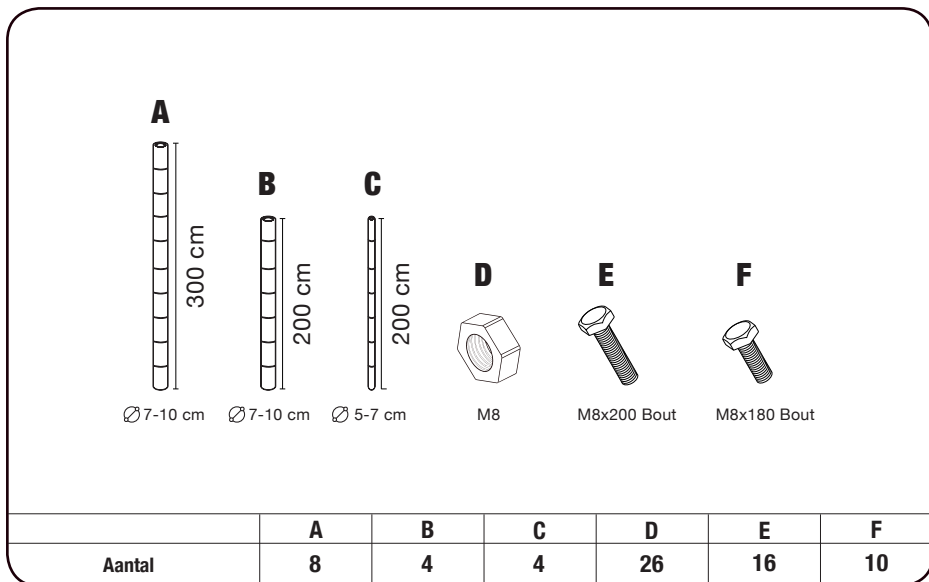
Manual Bamboo Pergola Java 2x3

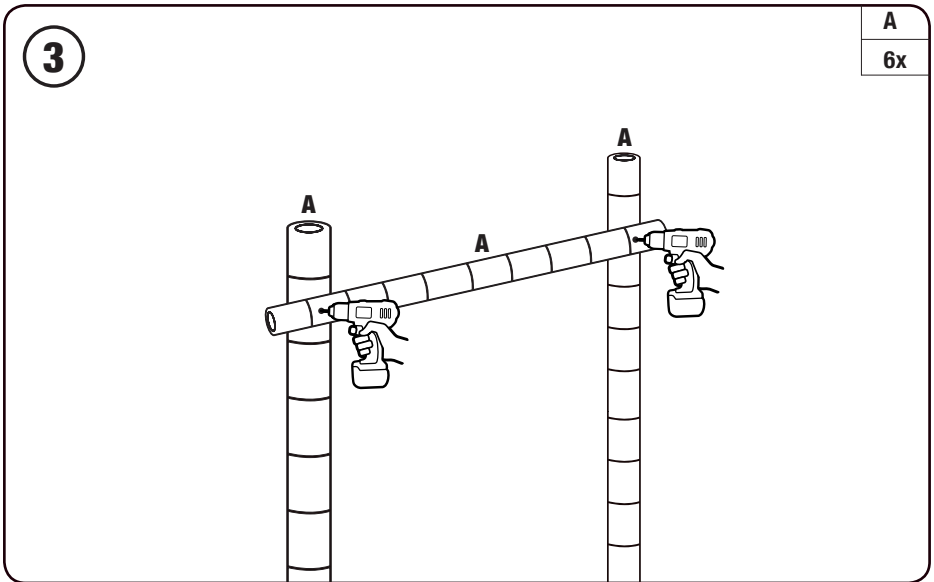
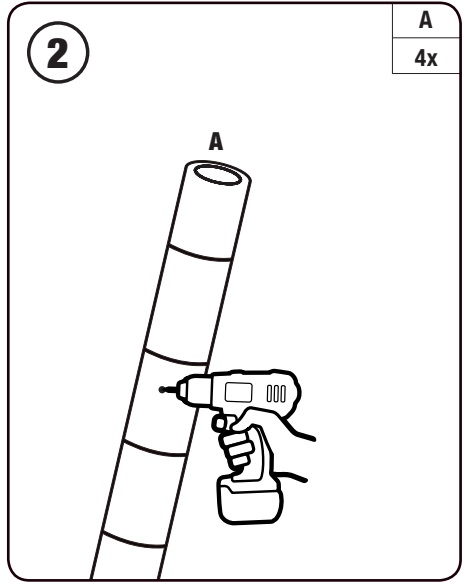
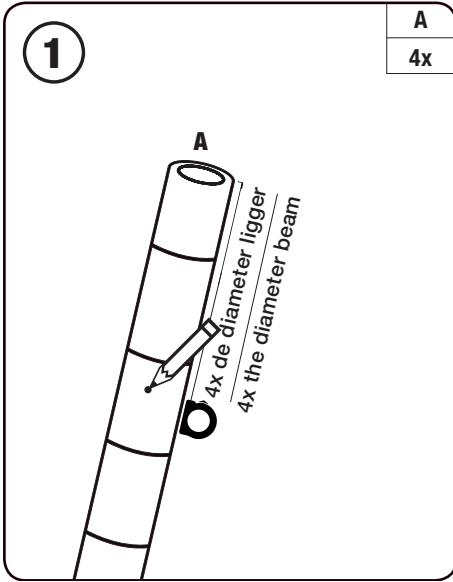


Gereedschap / Tools



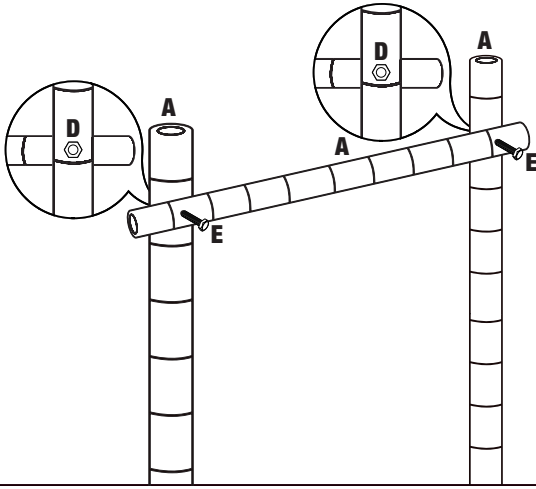
Materiaal / Material





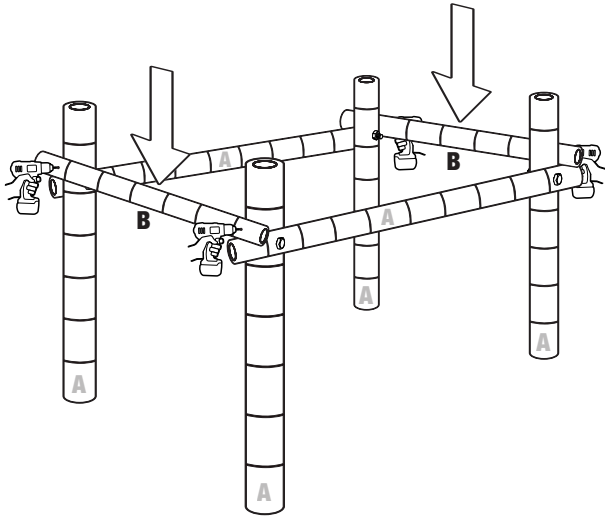
4

A	D	E
6x	4x	4x



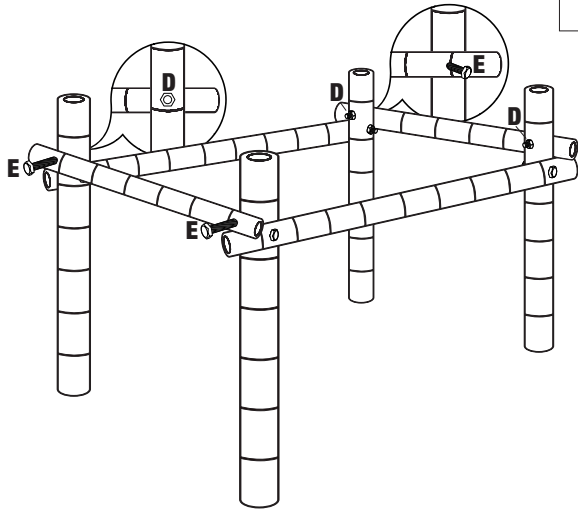
5

B
2x



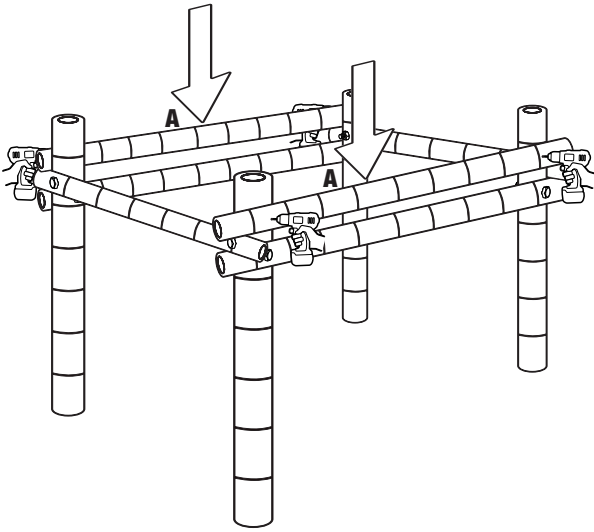
6

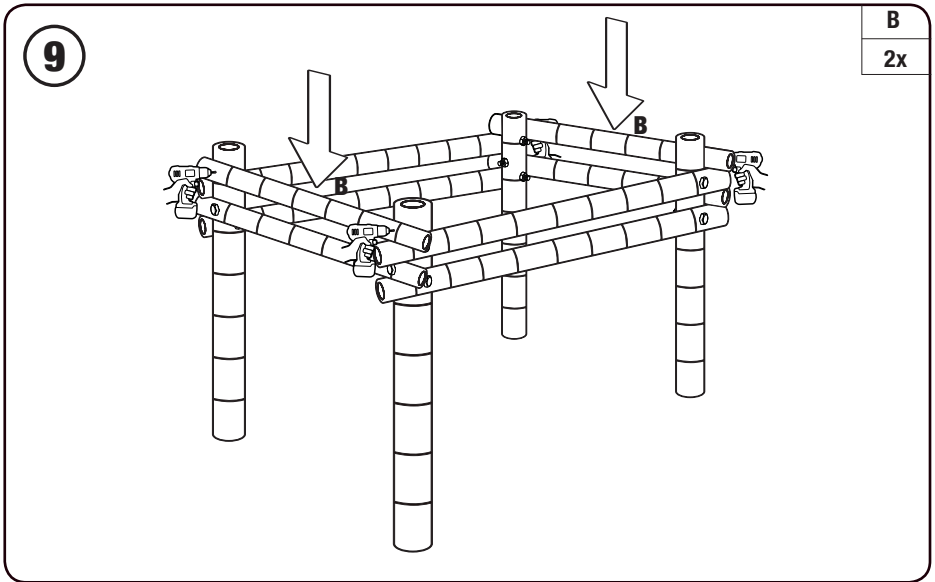
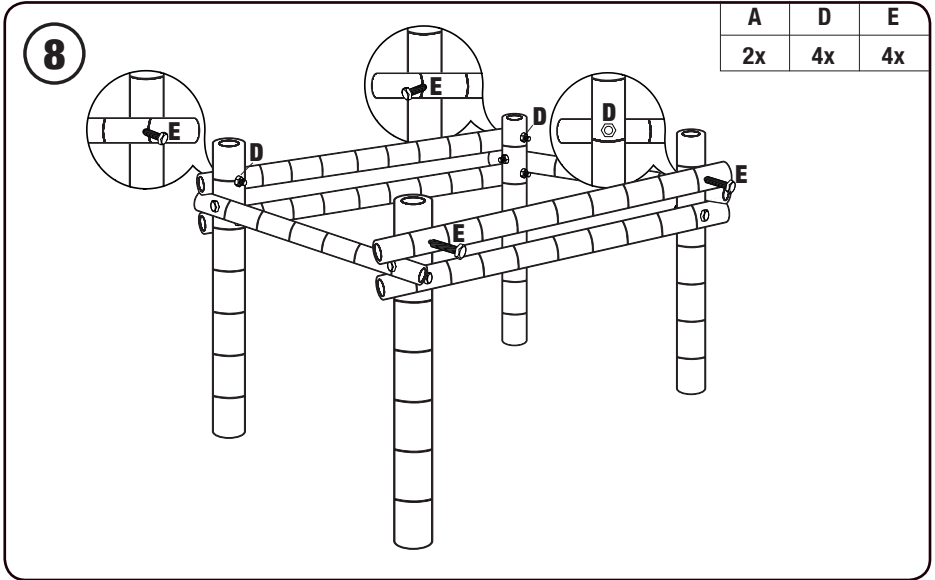
B	D	E
2x	4x	4x



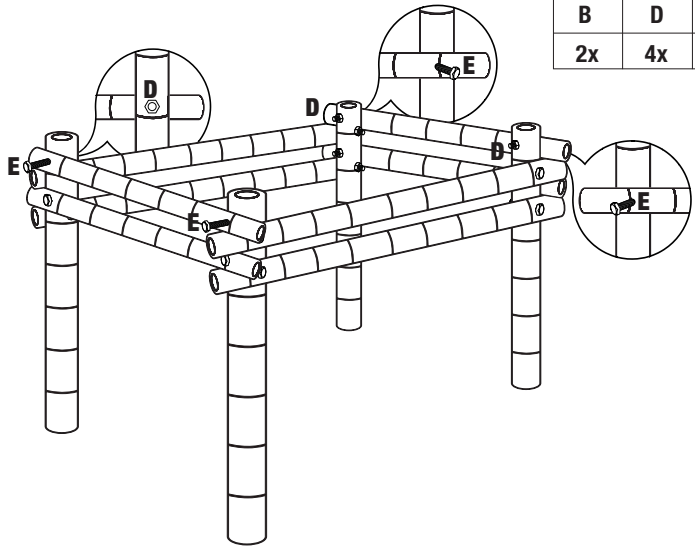
7

A
2x

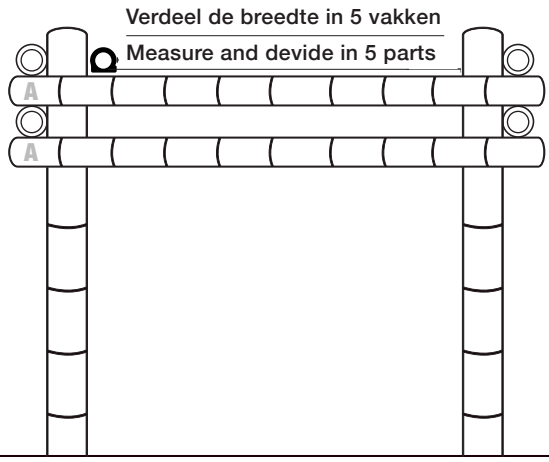




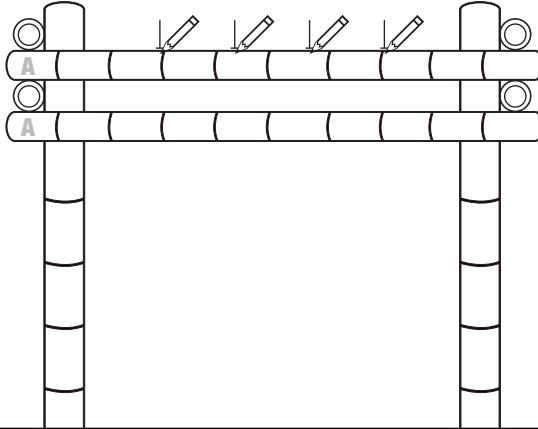
10



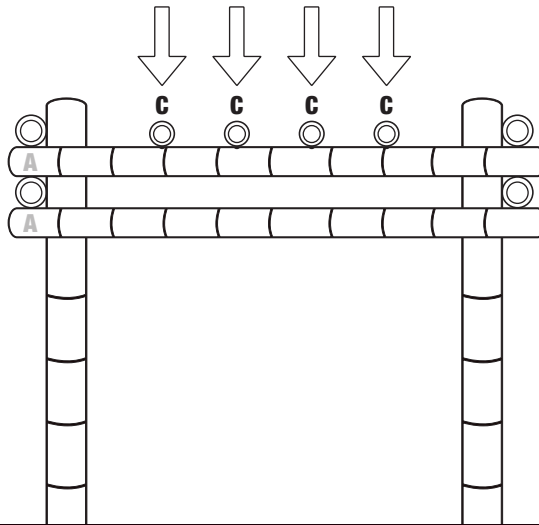
11



12

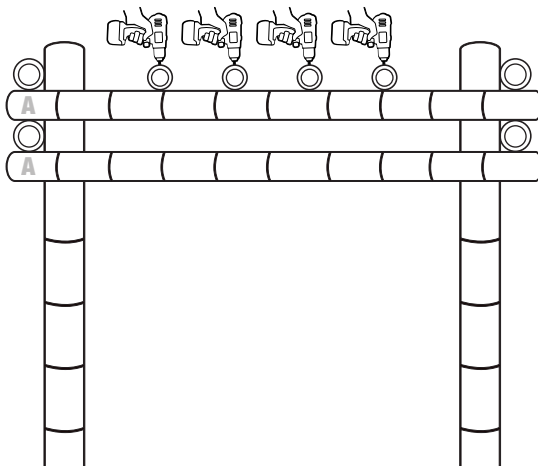


13



14

C
4x



15

C	D	F
4x	8x	8x

